

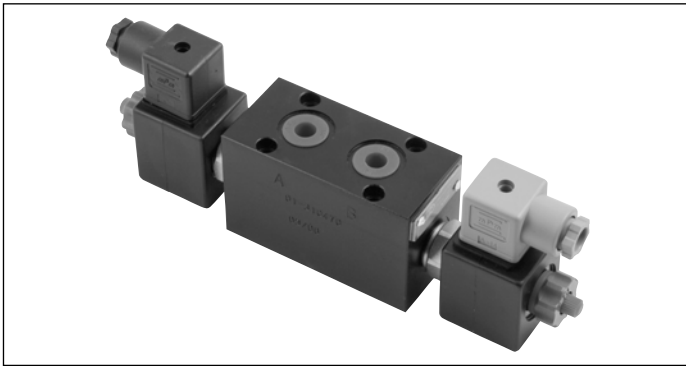
Flangeable elements with 2/2 solenoid cartridges valves

EDM-VEI

RE 18301-44

Edition: 02.2016

Replaces: 07.2012

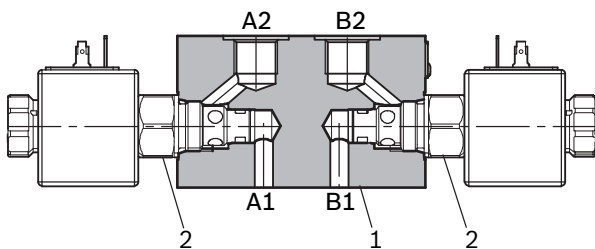


Description

The secondary flangeable elements EDM-VEI-__ can be interfaced and bolted on top of the A and B ports of the ED elements of the Directional Valve Assembly.

They incorporate one or two solenoid operated cartridges (VEI), and they can create a variety of hydraulic circuits, depending on the cartridges fitted.

The body of the EDM-VEI elements is made of Black Anodized Aluminium. Hydraulic Ports A2 and B2 are size G 3/8.



Technical data

General

Weight of manifold only, without solenoid cartridge	kg (lbs)	0.60 (1.32)
Weight with one solenoid cartridge	kg (lbs)	0.95 (2.10)
Weight with two solenoid cartridges	kg (lbs)	1.22 (2.68)
Ambient Temperature	°C (°F)	-20....+50 (-4....+122) (NBR seals)

Hydraulic

Maximum pressure	bar (psi)	250 (3625)
Maximum flow	l/min (gpm)	40 (10.5)
Hydraulic fluid		Mineral oil based hydraulic fluids HL (DIN 51524 part 1). Mineral oil based hydraulic fluids HLP (DIN 51524 part 2). For use of environmentally acceptable fluids (vegetable or polyglycol base) please consult us.
General properties: it must have physical lubricating and chemical properties suitable for use in hydraulic systems such as, for example:		
Fluid Temperature	°C (°F)	-20....+80 (-4....+176) (NBR)
Permissible degree of fluid contamination		ISO 4572: $\beta_x \geq 75$ X=10...12 ISO 4406: class 19/17/14 NAS 1638: class 8
Viscosity range	mm ² /s	5....420

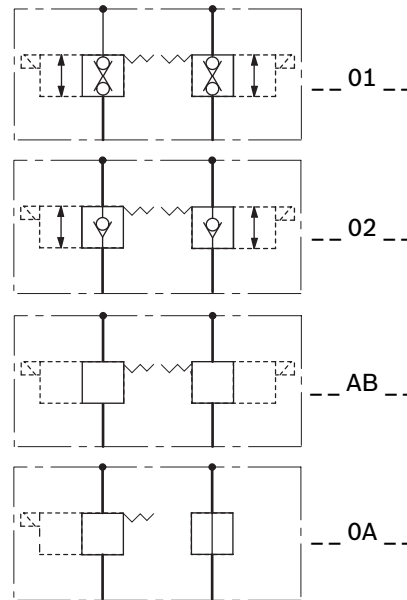
Note

For applications with different specifications consult us

Ordering details

01	02	03	04	05	06	07	08
L	88	75				0	0
Family							
01	Directional Valve elements ED						L
Model							
02	Flangeable element secondary valves						88
Type							
03	In-line 2/2 solenoid cartridges valves						75
Cartridge model¹⁾							
04	VEI-8I-2T-06-NC						01
	VEI-8I-2A-06-NC						02
Configuration							
05	Solenoid cartridges for both A and B ports						AB
	Solenoid cartridge for port A only						0A
Supply Voltage							
06	12V DC						OB
	14V DC						OG
	24V DC						OC
	26V DC						AC
Electric Connector							
07	With coils, without mating connector DIN EN 175301-803						01²⁾
	With coils, with bi-directional diode, without mating connector vertical Amp-Junior						03
	With coils, with bi-directional diode, without mating connector DT04-2P						07
Ports							
08	G 3/8 DIN 3852						0

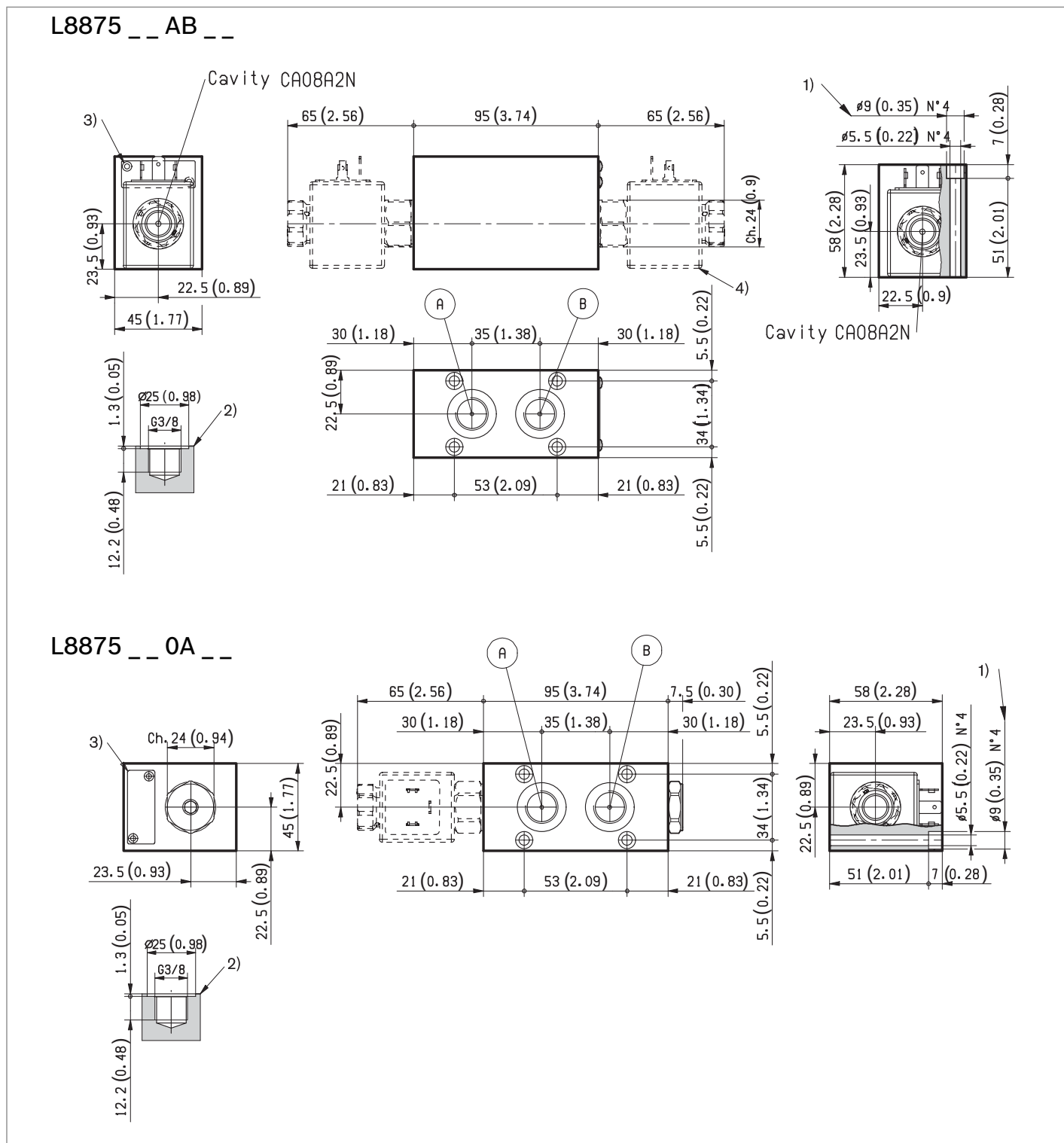
Symbols



1) Other versions on request.

2) For connectors ordering code see data sheet RE 18325-90.

External dimensions and fittings



- 1 Four through holes $\varnothing 5.5$ mm (0.217 inch) for screws and tightening torques see data sheet RE 18301-90.
- 2 A and B ports G 3/8.

- 3 Identification label.
- 4 Cavity for solenoid cartridge VEI.

Bosch Rexroth Oil Control S.p.A.

Oleodinamica LC Division
Via Artigianale Sedrio, 12
42030 Vezzano sul Crostolo
Reggio Emilia - Italy
Tel. +39 0522 601 801
Fax +39 0522 606 226 / 601 802
compact-hydraulics-cdv@boschrexroth.com
www.boschrexroth.com/compacthydraulics

© This document, as well as the data, specifications and other information set forth in it, are the exclusive property of Bosch Rexroth Oil Control S.p.a.. It may not be reproduced or given to third parties without its consent. The data specified above only serve to describe the product. No statements concerning a certain condition or suitability for a certain application can be derived from our information. The information given does not release the user from the obligation of own judgment and verification. It must be remembered that our products are subject to a natural process of wear and aging.
Subject to change.