

5/2-directional valve, Series TC08

- Operating voltage 24 V DC
- 5/2
- Qn = 800 l/min
- Pilot valve width : 15 mm
- Plate connection Pipe connection
- Compressed air connection output : G 1/8
- Electrical connection : Plug, ISO 15217, form C
- Can be assembled into blocks
- Manual override : with detent without detent
- single solenoid double solenoid
- Pilot : External



Type	Spool valve, positive overlapping
Activation	Electrically
Pilot	External
Sealing principle	Soft sealing
Blocking principle	Plate principle
Working pressure min./max.	-0,9 ... 10 bar
Control pressure min./max.	See table below
Ambient temperature min./max.	-10 ... 50 °C
Medium temperature min./max.	-10 ... 50 °C
Medium	Compressed air
Max. particle size	5 µm
Nominal flow Qn	800 l/min
Connector standard	ISO 15217
Protection class with connection	IP65
Duty cycle	100 %
Mounting screw tightening torque	2 Nm
Weight	See table below

Technical data

Part No.	MO	Compressed air connection	
		Input	Output
0820060751		G 1/8	G 1/8
0820060761		G 1/8	G 1/8
0820060771		G 1/8	G 1/8
0820060851		G 1/8	G 1/8
R422103043		G 1/8	G 1/8
0820060861		G 1/8	G 1/8
0820060871		G 1/8	G 1/8
R422103044		G 1/8	G 1/8

Part No.	Operational voltage	Voltage tolerance	Power consumption	Nominal resistance
		DC	DC	
0820060751	24 V	-10% / +10%	2 W	280 Ω
0820060761	24 V	-10% / +10%	2 W	280 Ω
0820060771	24 V	-10% / +10%	2 W	280 Ω

Part No.	Operational voltage	Voltage tolerance	Power consumption	Nominal resistance
		DC	DC	
0820060851	24 V	-10% / +10%	2 W	280 Ω
R422103043	-	-	-	-
0820060861	24 V	-10% / +10%	2 W	280 Ω
0820060871	24 V	-10% / +10%	2 W	280 Ω
R422103044	-	-	-	-

Part No.	Control pressure min./max.	Typ. switch-on time	Typ. switch-off time
0820060751	2,5 ... 10 bar	14 ms	18 ms
0820060761	3 ... 10 bar	14 ms	17 ms
0820060771	2 ... 10 bar	10 ms	10 ms
0820060851	2,5 ... 10 bar	14 ms	18 ms
R422103043	3 ... 10 bar	14 ms	17 ms
0820060861	3 ... 10 bar	14 ms	17 ms
0820060871	2 ... 10 bar	10 ms	10 ms
R422103044	2 ... 10 bar	10 ms	10 ms

Part No.	basic valve with electrical connector	Weight
0820060751	-	0,125 kg
0820060761	-	0,125 kg
0820060771	-	0,157 kg
0820060851	-	0,125 kg
R422103043	Basic valve without coil	0,125 kg
0820060861	-	0,125 kg
0820060871	-	0,157 kg
R422103044	Basic valve without coil	0,157 kg

Nominal flow Qn at 6 bar and $\Delta p = 1$ bar, MO = Manual override

Technical information

The min. control pressure must be adhered to, since otherwise faulty switching and valve failure may result!

The pressure dew point must be at least 15 °C under ambient and medium temperature and may not exceed 3 °C .

The oil content of compressed air must remain constant during the life cycle.

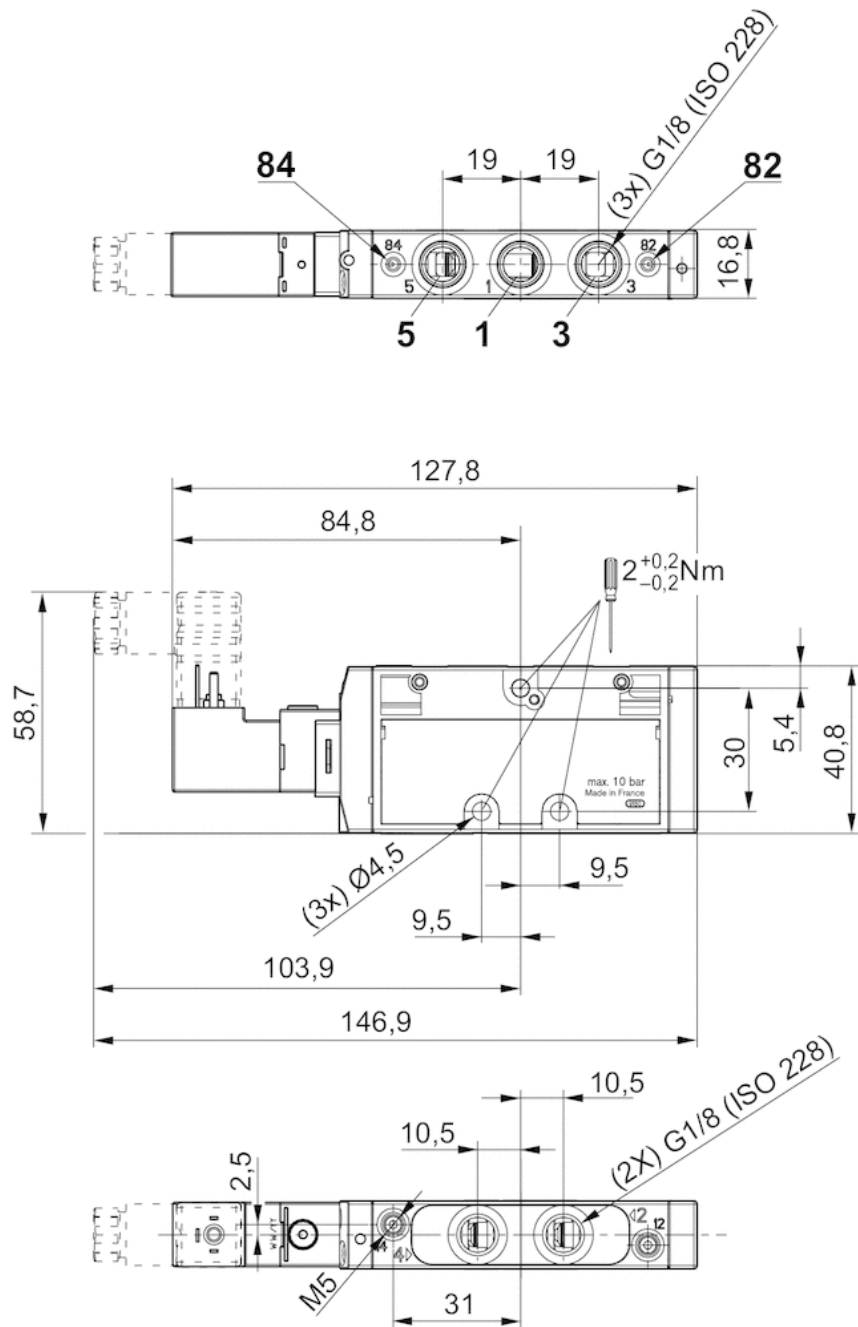
Use only the approved oils from AVENTICS. Further information can be found in the "Technical information" document (available in the MediaCentre).

Technical information

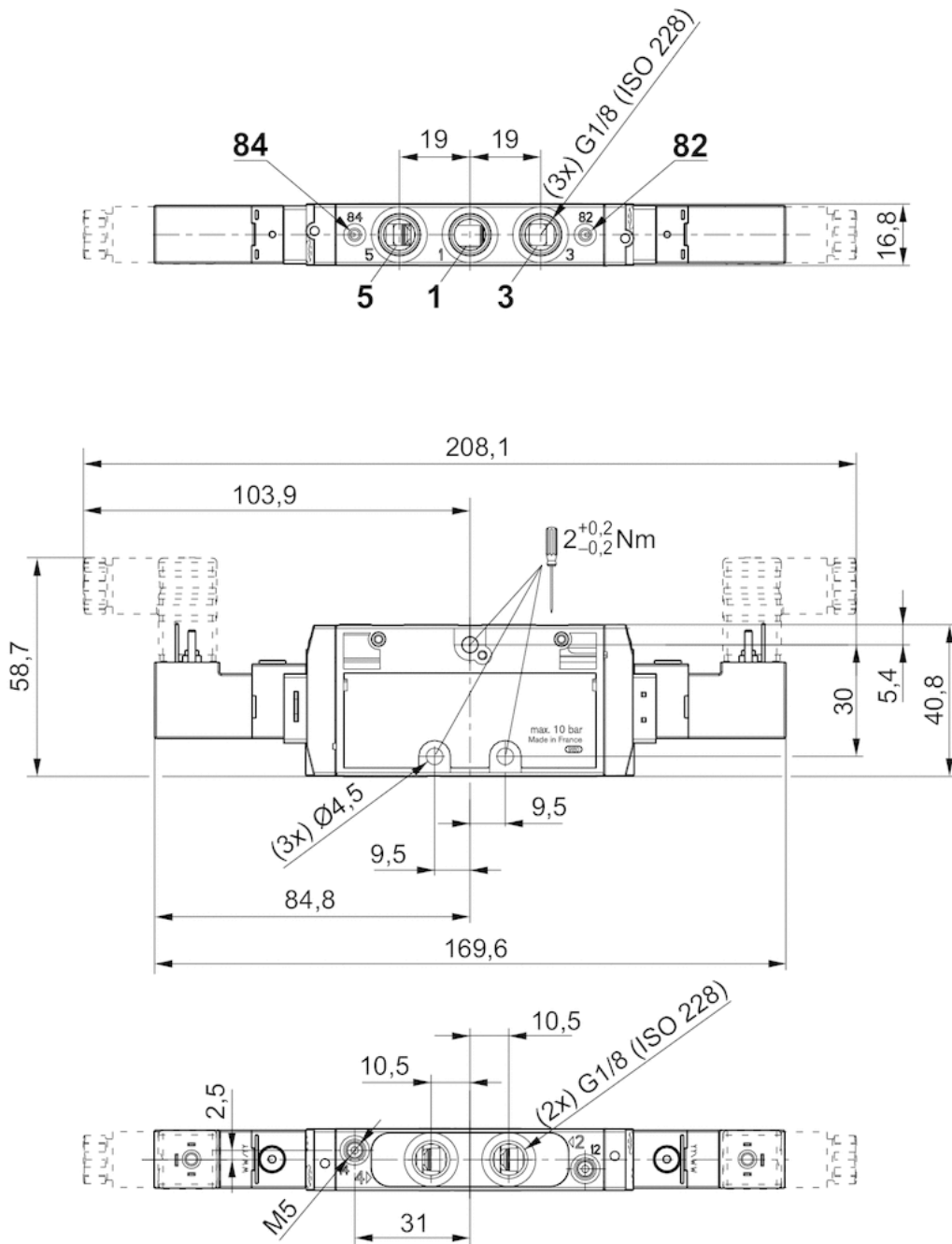
Material	
Housing	Polyamide fiber-glass reinforced
Seals	Acrylonitrile butadiene rubber Polyurethane
Front plate	Polyamide fiber-glass reinforced

Dimensions

Dimensions, single solenoid



Dimensions, double solenoid



Efficient pneumatic solutions, our program: cylinders and drives, valves and valve systems, air supply management



Visit us: [Emerson.com/Aventics](https://www.emerson.com/Aventics)

Your local contact: [Emerson.com/contactus](https://www.emerson.com/contactus)



[Emerson.com](https://www.emerson.com)



[Facebook.com/EmersonAutomationSolutions](https://www.facebook.com/EmersonAutomationSolutions)



[LinkedIn.com/company/Emerson-Automation-Solutions](https://www.linkedin.com/company/Emerson-Automation-Solutions)



[Twitter.com/EMR_Automation](https://twitter.com/EMR_Automation)

An example configuration is depicted on the title page. The delivered product may thus vary from that in the illustration. Subject to change. This Document, as well as the data, specifications and other information set forth in it, are the exclusive property of AVENTICS GmbH. It may not be reproduced or given to third parties without its consent. Only use the AVENTICS products shown in industrial applications. Read the product documentation completely and carefully before using the product. Observe the applicable regulations and laws of the respective country. When integrating the product into applications, note the system manufacturer's specifications for safe use of the product. The data specified only serve to describe the product. No statements concerning a certain condition or suitability for a certain application can be derived from our information. The information given does not release the user from the obligation of own judgement and verification. It must be remembered that the products are subject to a natural process of wear and aging.

The Emerson logo is a trademark and service mark of Emerson Electric Co. Brand logotype are registered trademarks of one of the Emerson family of companies. All other marks are the property of their respective owners. © 2020 Emerson Electric Co. All rights reserved.
2020-12



CONSIDER IT SOLVED™