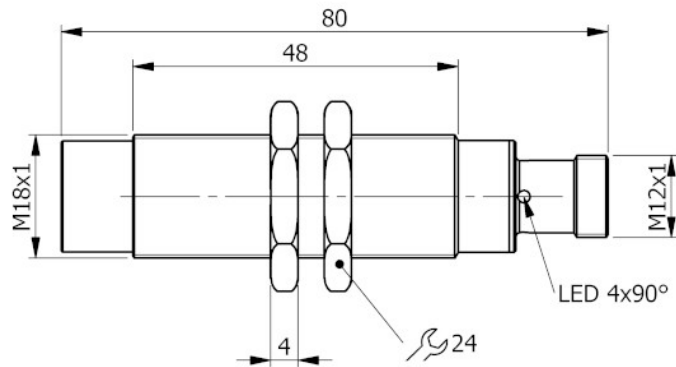


Part number: **I18000010** Model: **SI18-AE8 NO H**



Dimension in mm

1. TECHNICAL CHARACTERISTICS



Electrical data		
Power supply type:		Alternating current
Working voltage:	[V]	20 ÷ 250
Protection class:		III
Outputs		
Function:		NO
Max voltage drop:	[V]	< 6
Max output current:	[mA]	300
Minimum output current:	[mA]	5
Max peak current:	[A]	1.5
Residual current:	[mA]	< 1
Max switching frequency:	[Hz]	12
Detection zone		
Switching distance-Sn:	[mm]	8
Real sensing distance-Sr:	[mm]	8 ±10%
Operative distance-So:	[mm]	0 ÷ 6.48
Accuracy and Deviations		
Correction factor:		Stainless steel: 0.9 - Brass: 0.5 - Aluminium: 0.4 - Copper: 0.4
Hysteresis:	[%Sr]	< 10
Switching point drift:	[%Sr]	-10 ÷ +10
Repeatability:	[%Sn]	< 3
Environmental conditions		
Temperature limits:	[°C]	-25 ÷ +70
IP rating:		IP65-IP66-IP67 (depending on connector)
Display and control elements		
Display:		Output switching status - 4 x 90° LED: Yellow

Mechanical data

Housing:	Threded type
Thread designation:	M18x1
Dimensions: [mm]	M18x1 - L=81.5
Materials:	Housing: Nickel-plated brass - Sensing area: POM blue - Lock nuts: Nickel-plated brass
Mounting:	Not embeddable
Weigth: [g]	70

Electrical connection

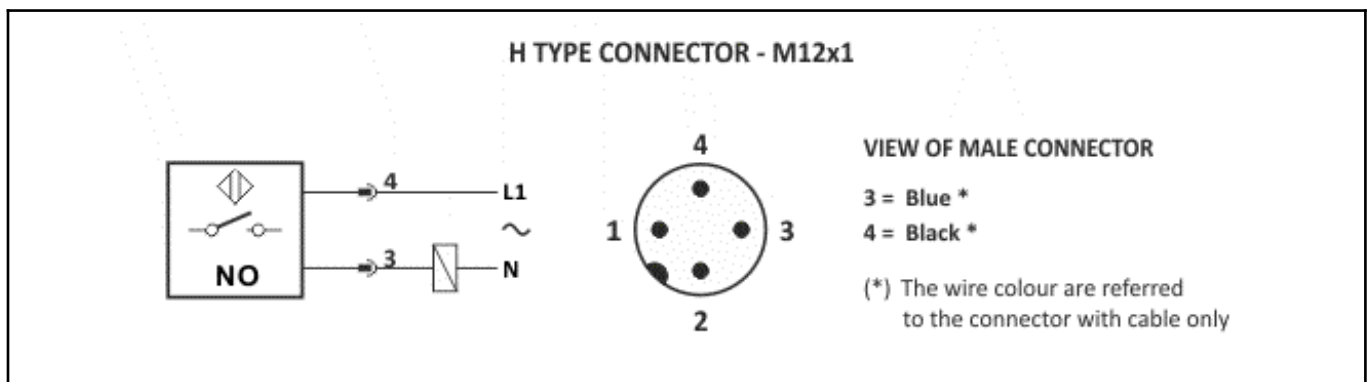
Connector:	H type - M12X1 - Gold plated contacts
------------	---------------------------------------

Compliance to Standards / Directives

Directives compliance:	2014/30/EU -Electromagnetic compatibility directive (EMC) 2014/35/UE -Low voltage directive (LVD)
Standards compliance:	EN60947-5-2 - Product standard

2. NORME DI INSTALLAZIONE

WIRING DIAGRAM



INSTRUCTIONS FOR CORRECT INSTALLATION

