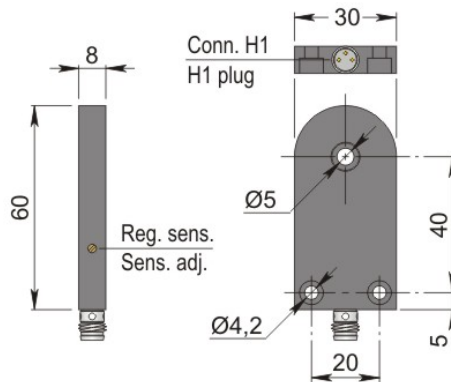


Part number: **SIA000078** Model: **SIA05-NE H1**



Dimension in mm

1. TECHNICAL CHARACTERISTICS



Electrical data		
Power supply type:		Direct current
Working voltage:	[V]	5 ÷ 30
Current consumption:	[mA]	On <= 1 mA - Off >= 3 mA @ 8.2V
Protection class:		III
Reverse polarity protection:		Presente
Outputs		
Electrical design:		Namur
Max switching frequency:	[Hz]	600 ÷ 1500
Detection zone		
Sensing hole diameter:	[mm]	5
Minimum detectable object:	[mm]	Ø 0.7x1 - Fe360
Accuracy and Deviations		
Correction factor:		Stainless steel: 0.9 - Brass: 0.5 - Aluminium: 0.4 - Copper: 0.4
Hysteresis:	[%Sr]	Depends on the sensitivity
Switching point drift:	[%Sr]	-10 ÷ +10
Repeatability:	[%Sn]	< 0.3
Environmental conditions		
Temperature limits:	[°C]	-20 ÷ +60
IP rating:		IP65
Mechanical data		
Housing:		Ring
Dimensions:	[Hz]	30 x 8 x 60
Materials:		Housing: PVC black - Sensing area: PVC black
Mounting:		Not embeddable
Weighth:	[g]	30

Electrical connection

Connector: H1 type - M8X1 - gold plated contacts

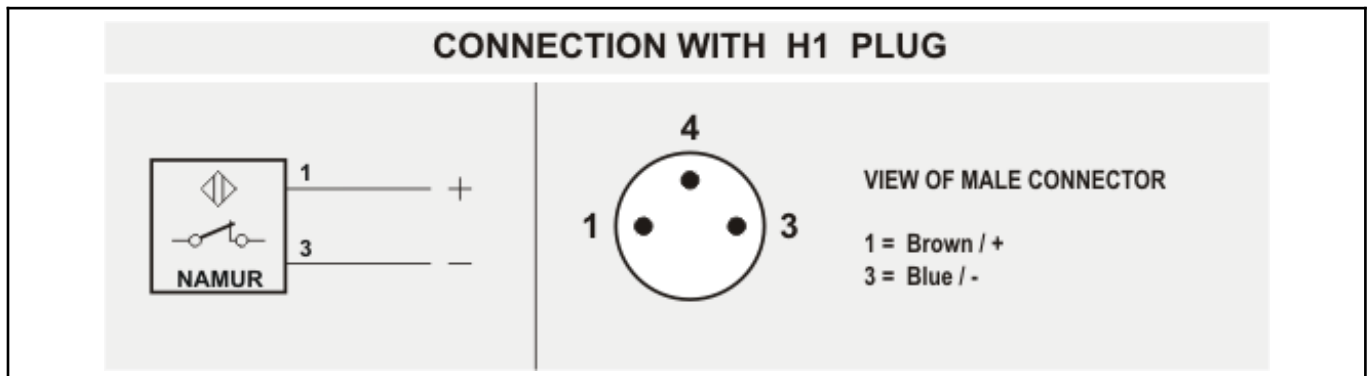
Compliance to Standards / Directives

Directives compliance: 2014/30/EU - Electromagnetic compatibility directive (EMC)

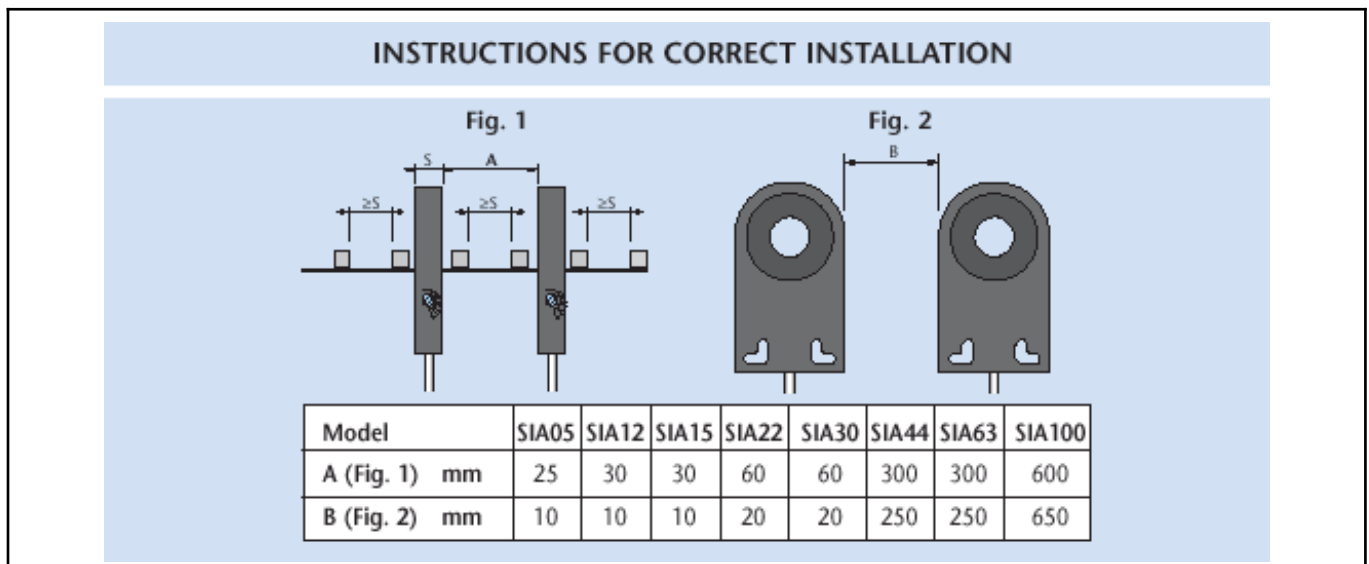
Standards compliance: EN60947-5-6 - Product standard

2. NORME DI INSTALLAZIONE

WIRING DIAGRAM

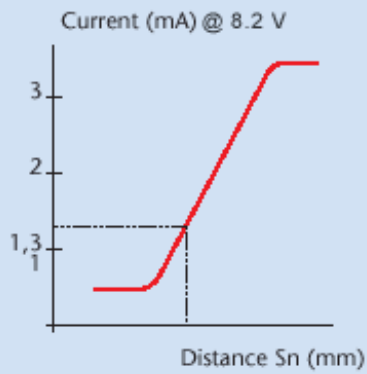


INSTRUCTIONS FOR CORRECT INSTALLATION

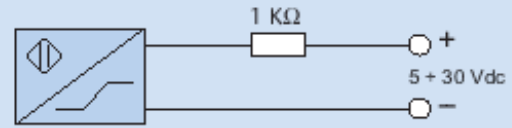


Titolo img 1

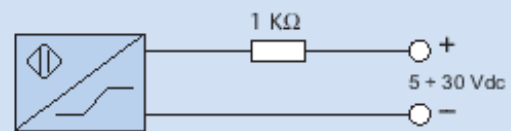
WORKING PRINCIPLE



In presence of metal $I \leq 1 \text{ mA @ } 8.2 \text{ V}$



In absence of metal $I \geq 3 \text{ mA @ } 8.2 \text{ V}$



The NAMUR sensors are electronic devices whose absorbed current varies in the presence of a metallic object. The difference between these sensors and traditional sensors is the absence of amplifier trigger stages.