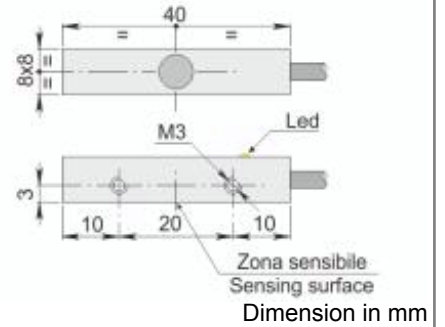


**Part number: SIP000031 - Model: SIPC8-C2 NPN NO**



### TECHNICAL CHARACTERISTICS

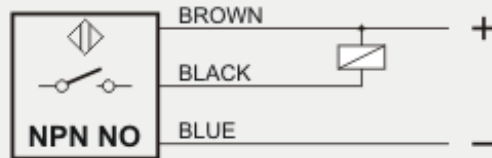
Power supply:	Direct current
Working voltage:	6 ÷ 30 Vdc
Switching distance (mm):	2
Output logic:	NPN
Function:	NO
Hysteresis (%Sn):	< 10%
Max switching frequency:	2000 Hz
Repeatability (%Sn):	< = 3
Max output current:	200 mA
Absorption:	< 12 mA @ 24Vdc
Voltage drop:	< 1.8 V
Short circuit protection:	Present
Led indicator:	Present
Temperature limits:	-25 ÷ +70 °C
IP rating:	IP 67
Housing material:	Anodized anticorodal
Mechanical characteristics:	SIPC 8x8x40
Connection type:	Cable 2 m
Cable type:	3x0.14 PVC
Weigth:	50 g



Part number: SIP000031 - Model: SIPC8-C2 NPN NO

## WIRING DIAGRAM

### 3 WIRES CABLE - LOGIC NPN NO



## INSTRUCTIONS FOR CORRECT INSTALLATION

### INSTRUCTIONS FOR CORRECT INSTALLATION

Type SIPC8

