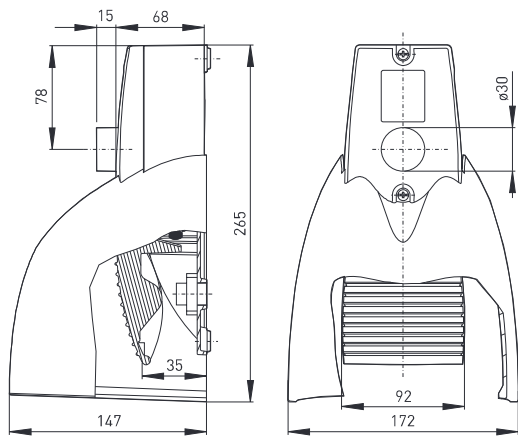


# Safety foot switches

## // Series GFSI VD

### // GFSI VD



#### Features/Options

- GFSI VD: NC contact 15-16 ⊖ in series with NO contact 23-24 (internal wiring)
- With impulse wiping contacts GFSI IK VD: without switching impulse when unlocking foot switch; NO contact 13-14 is converted into positive break NC contact ⊖ by internal baffle after pressure point, Safety contact: 13-14 ⊖, Signalling contact: 21-22
- Max. 4 contacts
- Ergonomic pedal shape and wide opening in protective shield
- Wiring compartment
- Available with special finish in RAL colour tones

#### Technical data

|                                    |  |
|------------------------------------|--|
| <b>Standards</b>                   | EN ISO 13849-1; EN 60947-5-1, BG-GS-ET-15                                      |
| <b>Enclosure</b>                   | aluminium die-cast, enamel finish, RAL 5011                                    |
| <b>Pedal</b>                       | aluminium die-cast, enamel finish, RAL 5011                                    |
| <b>Protective shield</b>           | aluminium die-cast, enamel finish, RAL 2004                                    |
| <b>Connection</b>                  | screw terminals  |
| <b>Cable cross-section</b>         | max. 2.5 mm <sup>2</sup> (incl. conductor ferrules)                            |
| <b>Cable entry</b>                 | 1 x M20 x 1.5  |
| <b>Contact material</b>            | silver   |
| <b>Degree of protection</b>        | IP 65 to EN 60529  |
| <b>Switching system</b>            | slow action with double break, positive break NC contact ⊖ per EN 60947-5-1    |
| <b>Switch insert</b>               | ES 60 GF VD, ES 60 GF IK VD  |
| <b>Contacts</b>                    | 1 NO/1 NC or 2 NO/2 NC contacts  |
| <b>Actuating force</b>             | aprox. 240 N   |
| <b>B<sub>10d</sub> (10 % load)</b> | 200,000  |
| <b>T<sub>M</sub></b>               | max. 20 years  |
| <b>Utilisation category</b>        | AC-15  |
| <b>U<sub>imp</sub></b>             | 6 kV   |
| <b>U<sub>i</sub></b>               | 500 V  |
| <b>I<sub>the</sub></b>             | GFSI VD: 16 A, GFSI IK VD: 6 A   |
| <b>I<sub>e</sub>/U<sub>e</sub></b> | GFSI VD: 16 A/400 VAC, GFSI IK VD: 6 A/400 VAC                                 |
| <b>Contact load capacity</b>       | max. 400 VAC, GFSI VD: max. 16 A (cos φ = 1), GFSI IK VD: max. 6 A (cos φ = 1) |
| <b>Max. fuse rating</b>            | GFSI VD: 16 A gG/gN fuse, GFSI IK VD: 6 A gG/gN fuse                           |
| <b>Ambient temperature</b>         | - 25 °C ... + 80 °C  |
| <b>Mechanical life</b>             | > 100,000 operations   |
| <b>Approvals</b>                   |  |

GFSI IK 2ÖS D 2Ö VD:

#### Contact variants: Travel/contacts

|                    | Slow action                | Impulse wiping contact         |
|--------------------|----------------------------|--------------------------------|
| 1 NC/1 NO contact  | <b>GFSI 1S D 1Ö VD</b><br> | <b>GFSI IK 1Ö1S D 1ÖVD</b><br> |
| 2 NC/2 NO contacts | <b>GFSI 2S D 2Ö VD</b><br> | <b>GFSI IK 2Ö2S D 2ÖVD</b><br> |

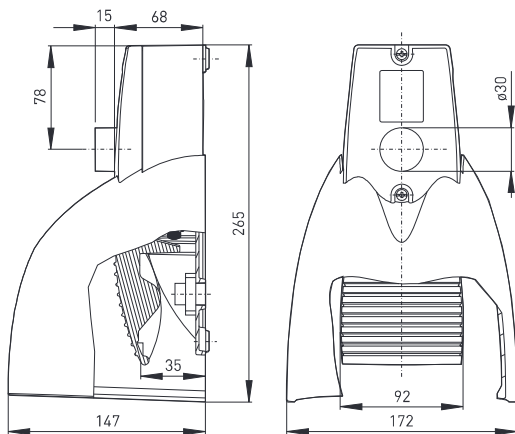
#### Ordering details

#### GFSI 1S D 1Ö VD

1 NO contact (2S D 2Ö VD, IK 1ÖS D 1Ö VD, IK 2ÖS D 2Ö VD)  
Series, S Protective shield

Foot switches  
// Series GFSI VD, variants

// With protective shield GFS



Slow action  
GFSI 1S D 1Ö VD  
GFSI 2S D 2Ö VD

Material Number  
1159564  
1177932

Impulse wiping contact  
GFS IK 1Ö1S D 1Ö VD  
GFS IK 2Ö2S D 2Ö 1ÖSVD  
GFSI IK 2Ö2S D 2Ö 1ÖS  
GFSI IK 2Ö2S D 2Ö 2Ö

Material Number  
1184002  
1181942  
1181885  
1183173