

AV900

TECHNICAL SPECIFICATIONS

OPTICAL FEATURES

Sensor Type	CMOS, 9 MPixels
Frame Rate	Up to 32 frames/sec
Optical Lens	25 mm, 35 mm C-Mount lens
Focus System	Dynamic, Sequential, SW Adjustable
Illumination	Integrated Red or White

DECODING CAPABILITY

1D and Stacked Codes	Code 128 (GS1-128); Code 39 (Standard and Full ASCII); Code 32 - MSI; Standard 2 of 5; Matrix 2 of 5; Interleaved 2 of 5; Codabar; Code 93 - Pharmacode; EAN-8/13 - UPC-A/E (including Addon 2 and Addon 5); GS1 DataBar Family; PDF417 (Standard and Micro PDF417)
2D Codes	Data Matrix ECC 200 (Standard, GS1 and Direct Marking); QR Code (Standard and Direct Marking); MicroQR Code; Maxicode
Postal Codes	Aztec Code Postal; Australia Post; Royal Mail 4 State Customer; Kix Code; Japan Post; PLANET; POSTNET; POSTNET (+BB); Intelligent Mail; Swedish Post

SYSTEM

Memory	System RAM: 8 GB; eMMC Flash: 32 GB
Microprocessor	Intel Pentium Quad-core
Operating System	Linux
Real-Time Clock	Time and date stamping under software control or can be synchronized with time server

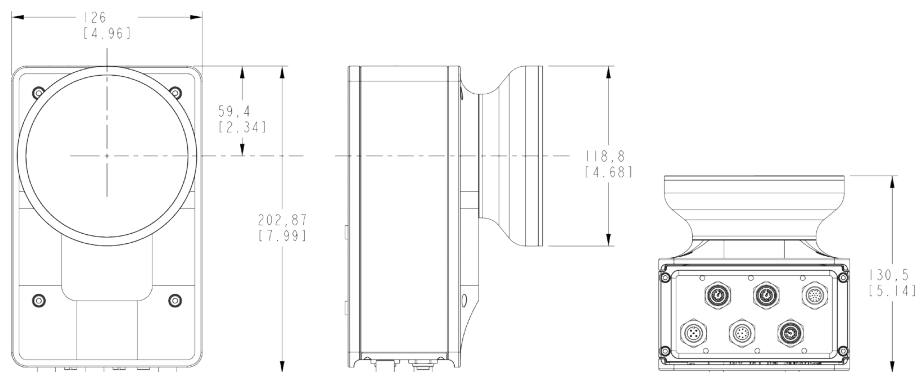
COMMUNICATIONS INTERFACE

Communication Interfaces	2 Ethernet TCP/IP, 2 serial communication interfaces
Internal Communication System	SyncNet Technology
Connectivity Modes	Master/Slave, Ethernet Point to Point
Programming Method	e-GENIUS multi-language, browser based, on board HTML web server interface

MODELS

PART NUMBER	MODEL AND DESCRIPTION
938000105	AV900-257W; 25 mm, f/7, WHITE
938000115	AV900-257R; 25 mm, f/7, RED
938000102	AV900-358W; 35 mm, f/8, WHITE
938000112	AV900-358R; 35 mm, f/8, RED

MECHANICAL DRAWINGS



ELECTRICAL

Supply Voltage	24 VDC +/- 20%
Power Consumption	2A

PHYSICAL CHARACTERISTICS

Dimensions	20.0 x 12.6 x 13.0 cm / 7.8 x 4.9 x 5.1 in
Weight	2,900 g / 6.4 pounds
Chassis Material	A380 Die Cast Aluminum

ENVIRONMENTAL

Humidity	95% non condensing
Protection Class	IP65
Vibration Resistance	SINE vibration as per EN60068-2-6 10-50 Hz: 0.4mm / 50-500 Hz: 2g 2h on all axis
Shock Resistance	EN60068-2-27, 15 g / 11 ms / 3 times up and 3 times down on the primary axis.
Fan Life	L10 @ 40 degrees C: 50,000 hours
Temperature	Operating: 0 to 50 °C / 32 to 122 °F Storage/Transport: -20 to 70 °C / -4 to 158 °F

SAFETY & REGULATORY

Agency Approvals	The product meets necessary safety and regulatory approvals for its intended use.
Environmental Compliance	Complies to EU RoHS
Regulatory	EN55032 Emissions for Class A digital device; EN61000-6-2 Electromagnetic Compatibility; FCC part 15 for Class A digital device; cULus listed product for Canada and U.S.; CE
Laser Safety	Class 2 laser product as per IEC60825-1:2014 Complies with 21 CFR 1040
LED Safety	LED Safety (Risk Group 0) as per IEC62471

WARRANTY

Warranty	2-Year Factory Warranty
-----------------	-------------------------