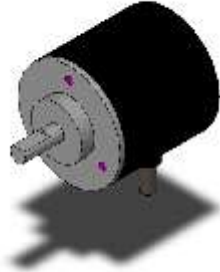


Incremental 40-mm-dia. Rotary Encoder

## E6B2-CWZ5B 600P/R 2M

Rotary Encoder, Incremental, External Diameter: 40 dia., PNP open-collector output, 600 P/R, 12 to 24 VDC, Phases A/B/Z, Pre-wired model, 2 m



Image

Encoding method	Incremental Shaft model
Resolution	600 P/R
Output phases	A, B and Z
Control output	PNP open collector
Connection method	Pre-wired models (Cable length: 2 m)

Ratings / Performance

As of July 25, 2024

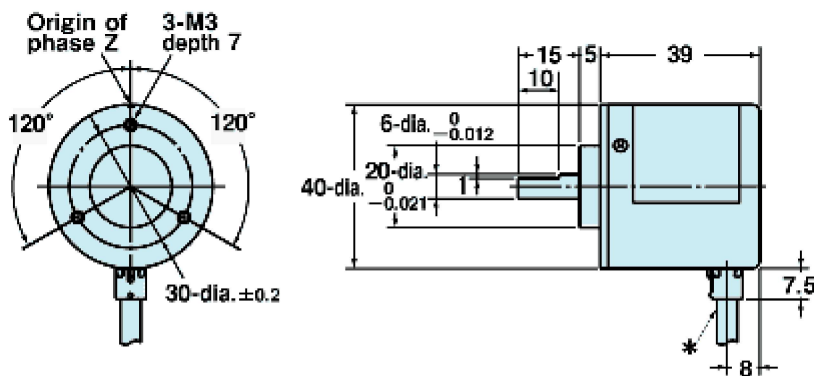
Categorise		Incremental Shaft model
Diameter		40 mm dia.
Power supply voltage		12 to 24 VDC (-10% to +15%) Ripple (p-p) 5% max.
Current consumption		100 mA max.
Resolution		600 P/R
Inrush current		Approx. 9 A (0.3 ms)
Output phases		A, B and Z
Control output	Output type	PNP open collector
	Load power supply voltage	30 V max.DC
	Source current	35 mA max.
	Residual voltage	0.4 V max. (at source current 35 mA)
Starting positional point		Equipped
Max. response frequency		50 kHz
Phase difference on output		90±45 ° between A and B (1/4 T ± 1/8 T)
Rise and fall times of output		1 µs max. (Cable length: 2 m max., Sink current 10 mA)
Starting torque		0.98 mN.m max.
Moment of inertia		3 x 10 <sup>-7</sup> kg.m <sup>2</sup> max.
Shaft loading		Radial: 30 N Thrust: 20 N
Max. permissible rotation		6000 r/min
Protective circuit		Output short-cut protection Power supply reverse polarity protection
Ambient temperature		Operating: -10 to 70 °C (with no icing) Storage: -25 to 85 °C (with no icing)

<b>Ambient humidity</b>	Operating: 35 to 85 % (with no condensation) Storage: 35 to 85 % (with no condensation)
<b>Insulation resistance</b>	Between charged parts and the case: 20 MΩ or higher (500 VDC megger)
<b>Dielectric strength</b>	Between charged parts and the case: 500 VAC 50/60 Hz 1 min
<b>Vibration resistance</b>	Destruction: 10 to 500 Hz, 2-mm or 150 m/s <sup>2</sup> double amplitude for 11 min 3 times each in X, Y, and Z directions
<b>Shock resistance</b>	Destruction: 1000 m/s <sup>2</sup> for 3 times each in X, Y, and Z directions
<b>Degree of protection</b>	IEC: IP50
<b>Connection method</b>	Pre-wired models (Cable length: 2 m)
<b>Material</b>	Case: ABS Main Unit: Aluminum Shaft: SUS420J2
<b>Accessories</b>	Instruction manual, Couplings, Hex-head spanner

As of July 25, 2024

### Dimensions

As of July 25, 2024

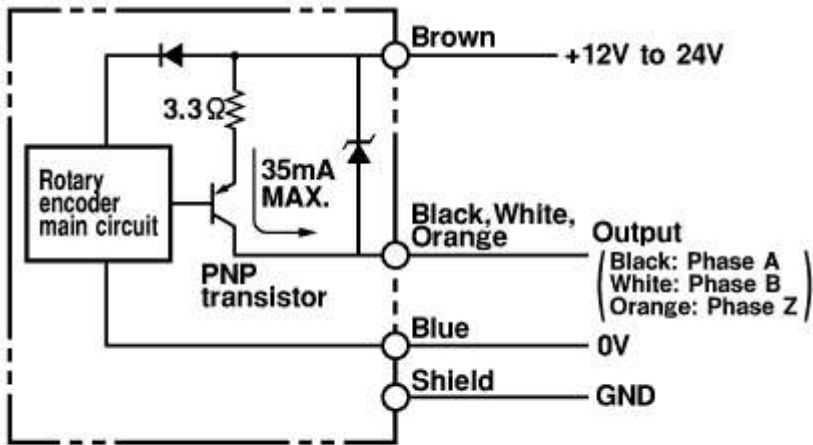


- \*E6B2-CWZ6C, E6B2-CWZ5B, E6B2-CWZ3E  
5-dia. Shielded cable with 5 conductors  
(conductor cross section: 0.2mm<sup>2</sup>, insulator diameter: 1.0mm)  
Standard length: 500mm
- E6B2-CWZ1X  
5-dia. Shielded cable with 8 conductors  
(conductor cross section: 0.2mm<sup>2</sup>, insulator diameter: 1.0mm)  
Standard length: 500mm

As of July 25, 2024

### Output circuit diagram

As of July 25, 2024



- \*1. The shielded cable outer core is not connected to the inner area or the case.
- 2. Normally, connect GND to 0V or to an external ground.

As of July 25, 2024

Connected specification chart

As of July 25, 2024

Color	Terminal
Brown	Vcc
Black	Phase A
White	Phase B
Orange	Phase Z
Blue	0V(COMMON)
Shield	GND

As of July 25, 2024

Timing chart

As of July 25, 2024

Output phase	Direction of rotation	Output mode
Phase A Phase B Phase Z	<b>CW</b> as viewed from the end of the shaft	<p>Phase A ON OFF</p> <p>Phase B ON OFF</p> <p>Phase Z ON OFF</p> <p><math>T(360^\circ)</math> CW</p> <p><math>1/4T \pm 1/8T(90^\circ \pm 45^\circ)</math></p>
Phase A Phase B Phase Z	<b>CCW</b> as viewed from the end of the shaft	<p>Phase A ON OFF</p> <p>Phase B ON OFF</p> <p>Phase Z ON OFF</p> <p><math>T(360^\circ)</math> CCW</p> <p><math>1/4T \pm 1/8T(90^\circ \pm 45^\circ)</math></p>

\*CW direction: Phase A is  $1/4 \pm 1/8T$  faster than phase B.  
 CCW direction: Phase A is  $1/4 \pm 1/8T$  slower than phase B.

As of July 25, 2024